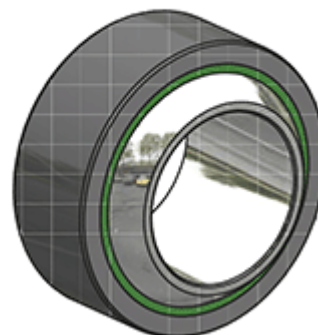
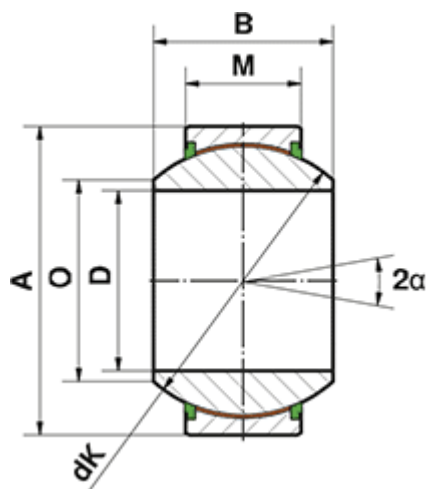


Article number: 03446030

Description: Fluro Heavy Duty Spherical Plain Bearing GE 30 GW-2RS  
Hole Ø30

Note: 30

## Measures



= -	Dynamic load C (kN) = 210
= -	M = 20
= -	O = 34.4
A = 55	Static load C0 (kN) = 350
a (degrees) = 17	Weight (g) = 280
B = 32	
D = 30	
dK = 47	